

MAGNATECH

Model 805, Low Profile, Fusion Tube Weldhead

For Fusion Welding of Tubing & Fittings



Magnatech's new model 805 tube & fitting weldhead introduces a new level of value, efficiency and durability to fusion, tube welding. The model 805 tube weldhead is designed for GTAW fusion welding of tubes from 1/8" (0.125"/3.175 mm) to 5/8" (0.625" / 15.87 mm).

This low profile, robust design is ideal for restricted clearance welding applications. Scissor / Toggle style clamping with precise tube centering will truly lower one's set up time and increase welding efficiency and productivity. The ergonomic design of the 805 weldhead will reduce your cycle times for bench work, and the reduced weight and comfortable hand grip, with switch panel, makes this weldhead ideal for field welding.

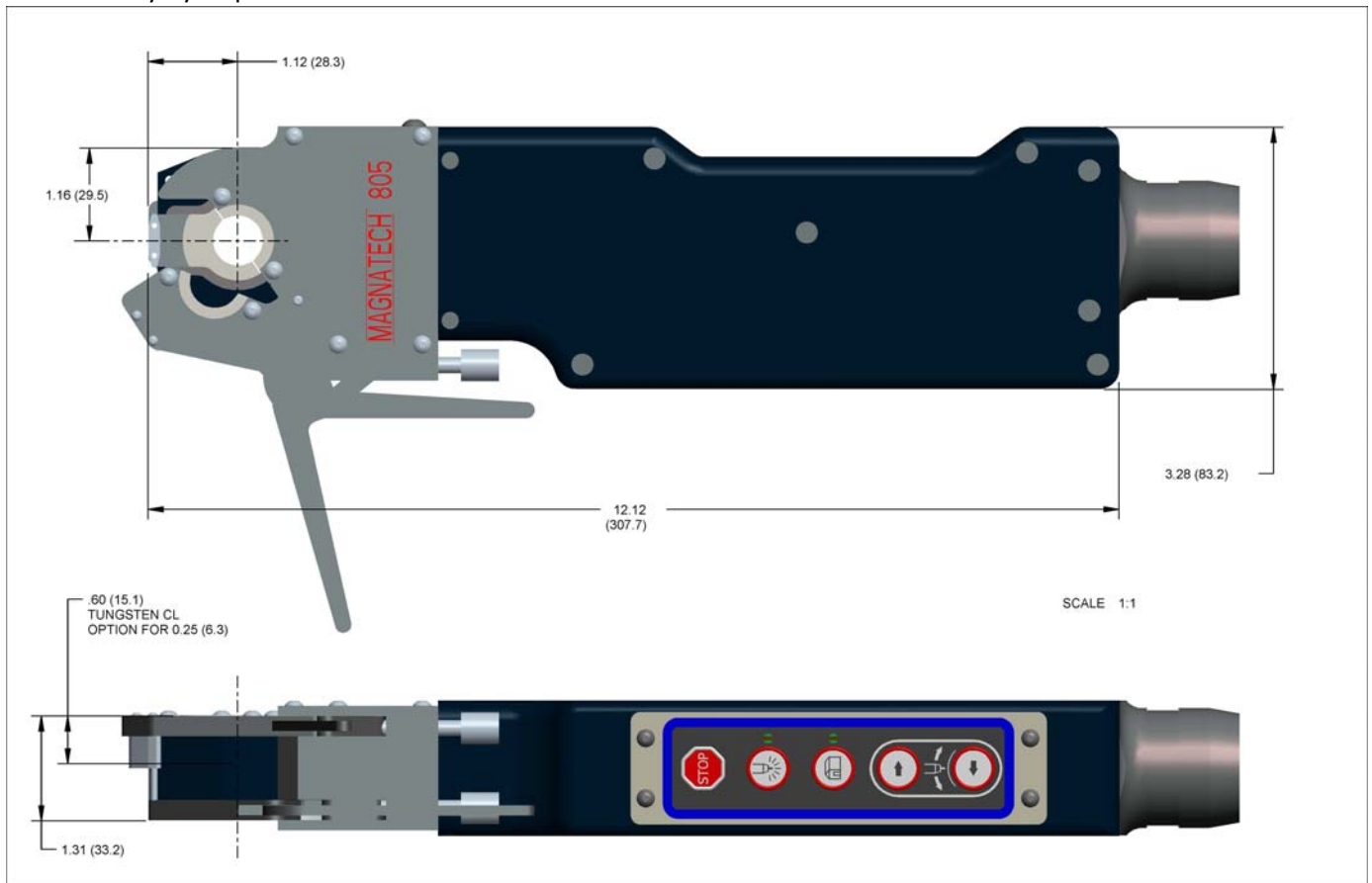
To ensure 100% duty cycle performance of this low profile fusion weldhead, the Model 805 contains an internal, "full exchange" water cooling system.



Model 805 Tube Weldhead specifications:

MAGNATECH

- Welds 1/8" - 5/8" (3mm—16 mm) OD tubing & fittings
- Digital Encoder Drive Motors - offers 100% Repeatabile Speed Regulation
- Easy Access Collet Clamp Adjustment - Optimal Grip without Deformation
- Internal "Full Exchange" Water Cooling System - True 100% Duty Cycle performance
- Replaceable 360° Contact Tungsten Holder— Full Contact Ensures Positive Arc Starts
- Molded silicone switch panel on weld head handle - eliminates need for remote pendant
- Weldhead weight (excluding 15 foot standard torch cable) : 7 lbs.



Headquarters: MAGNATECH LLC

6 Kripes Road, P.O. Box 260, East Granby, CT 06026-0260

Telephone: (+1) 860 653-2573 • Fax: (+1) 860 653-0486

E-Mail: info@MagnatechLLC.com

Web Site: www.MagnatechLLC.com

European Office: MAGNATECH INTERNATIONAL B.V.

De Amer 24, 8253 RC Dronten, The Netherlands

Telephone: (+31) 321 38 6670-79 • Fax: (+31) 321 31 4165

E-Mail: info@Magnatech-International.com